

Blower Market Solutions BBF Series 2" - 6"



A Wise Business Decision Cut Your Labor and Assembly Time

Filter Silencers

No Welding, Painting, Cutting, or Drilling Required

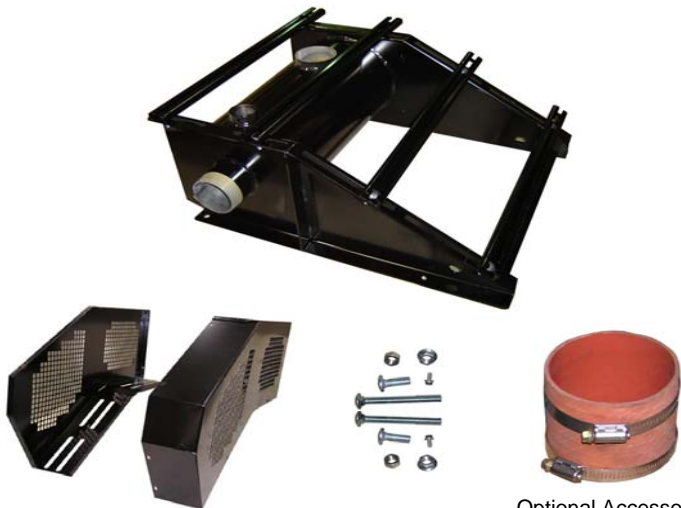
- **Maximize Productivity** - From junior to experienced technicians, assemble & ship blower packages faster with fewer resources using Solberg's One Wrench System™
- **Significant Costs Savings** - Only one vendor needed to help you improve margins through lower labor and material handling costs, Solberg provides the complete solution
- **Engineering Support** - Design specifications and drawings are available to help you configure and present your package to your customers
- **Ultra Compact Design** - Integrated Discharge Silencer offers a low profile and small footprint
- **Build Your Sound Enclosure Competitively** - The compact design allows you to build significantly smaller and less costly enclosures to meet more stringent noise level requirements



Example of Silencer Base Frame Package

Solberg Kit Components:

Silencer Base Frame w/Pre-Assembled Rails, Easy Accessible Belt Guard, Complete Hardware Kit, Assembly Instructions, Engineering Assistance upon request



Optional Accessory

Solberg Filters and Silencers:

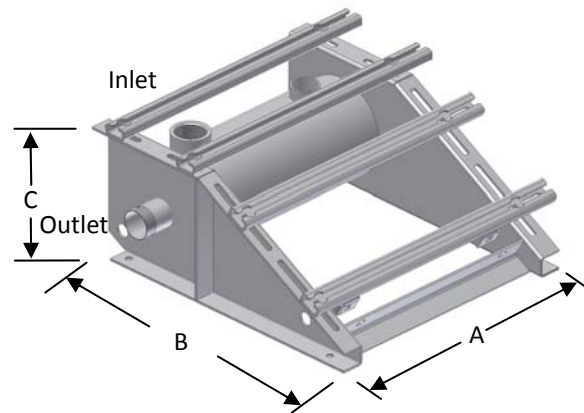
Protect your Investment
Premium Grade Silencer Filters /
Inlet Vacuum Filters





SOLBERG®

Silencer Frames for Blower Packagers BBF Series 2" - 6"



Filter Silencers

Features

- Reactive style silencing design
- Integrated discharge silencer
- Adjustable motor supports for belt tensioning
- Pre-assembled rails to frame
- Easy sheaves accessible belt guard
- Carbon steel with baked enamel finish

Benefits

- Compact design for small blower package footprint
- Low profile allows for easier maintenance inspections
- Quick installation time
- Cost Savings (Minimal packaging, freight & storage)
- Sound enclosures are more economical due to compact frame footprint
- Engineering support provided by Solberg for sizing specifications and specific requirements

Technical Specifications

- Pressure Rating: 1 ATM
- Hardware Kit (SAE std. nuts, bolts, washers) included
- Ports for: relief valve, pressure & temperature gauges

Options

- Purpose built belt guard
- Flexible boot kit (clamp, flex adapter)
- Snubber discharge silencer for vacuum applications
- Contact factory for best Solberg filter for your package

MPT Outlet Connections

Pipe Stub Inlet	MPT Outlet	Nominal SCFM Rating	Part Number	Dimensions - inches			Relief Valve Port	Sugg. HP Range	Approx. Wt. lbs.	Belt Guard for BBF Series	
				A	B	C				Part No.	Approx. lbs.
2"	2"	135	BBF-200	23 1/2	27 1/2	11	2"	3-15+	130	DL-200	20
2 1/2"	2 1/2"	195	BBF-250	23 1/2	27 1/2	11	2"	3-20+	130	DL-200	20
3"	3"	300	BBF-300	28	35	14 3/16	2"	10-30	180	DL-300	23
4"	4"	520	BBF-400	28	35	14 3/16	2"	20-50	180	DL-300	23
6"	6" Flg	1100	BBF-600F	34 3/4	39 1/2	16	3"	40-60	398	DL-600	28

Dimension tolerance ± 1/4"

Note: Model offerings and design parameters may change without notice. See www.solbergmfg.com for most current offering.

